

8 7 6 5 4 3 2 1

D

D

C

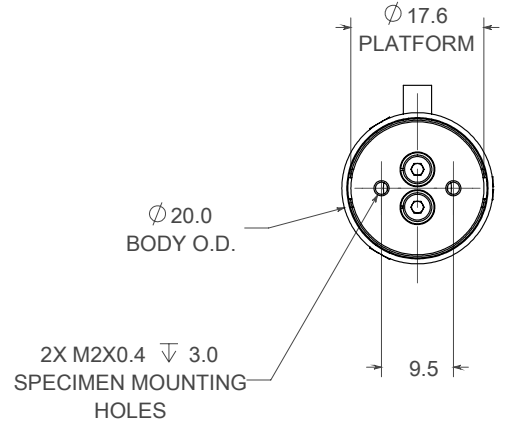
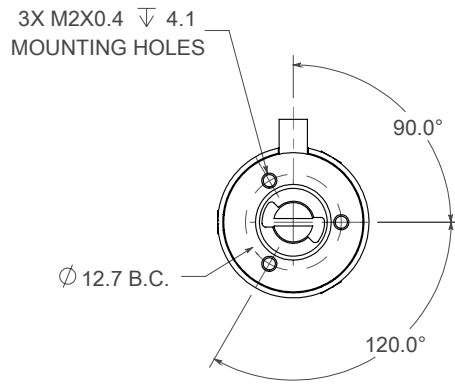
C

B

B

A

A



UNLESS OTHERWISE NOTED, ALL UNITS ARE IN MILLIMETERS 		3030 Laura Ln., #100 Middleton, WI 53562		DESCRIPTION NPZ70-207 1 - AXIS SCANNER, SUPER INVAR 70um TRAVEL	
		Phone: (608) 824-1770 Fax: (608) 824-1774 www.npoint.com		NUMBER 3715207	REV. A

8 7 6 5 4 3 2 1